

CE-D09 Spare parts list



Identification number: TCF-VOMNL - 2420A
Product group: Rollator
Productname: EZ-Lite
Batchnumber:

Complete

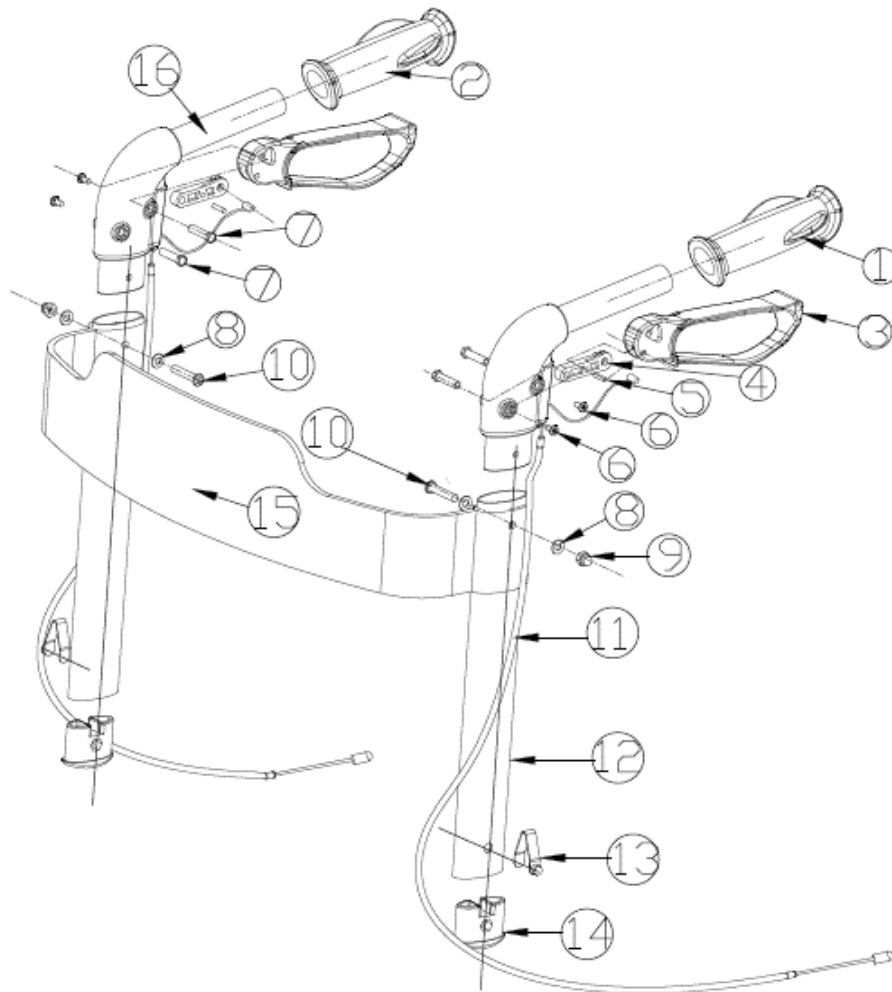


CE-D09 Spare parts list



Identification number: TCF-VOMNL - 2420A
 Product group: Rollator
 Productname: EZ-Lite
 Batchnumber:

Push handles



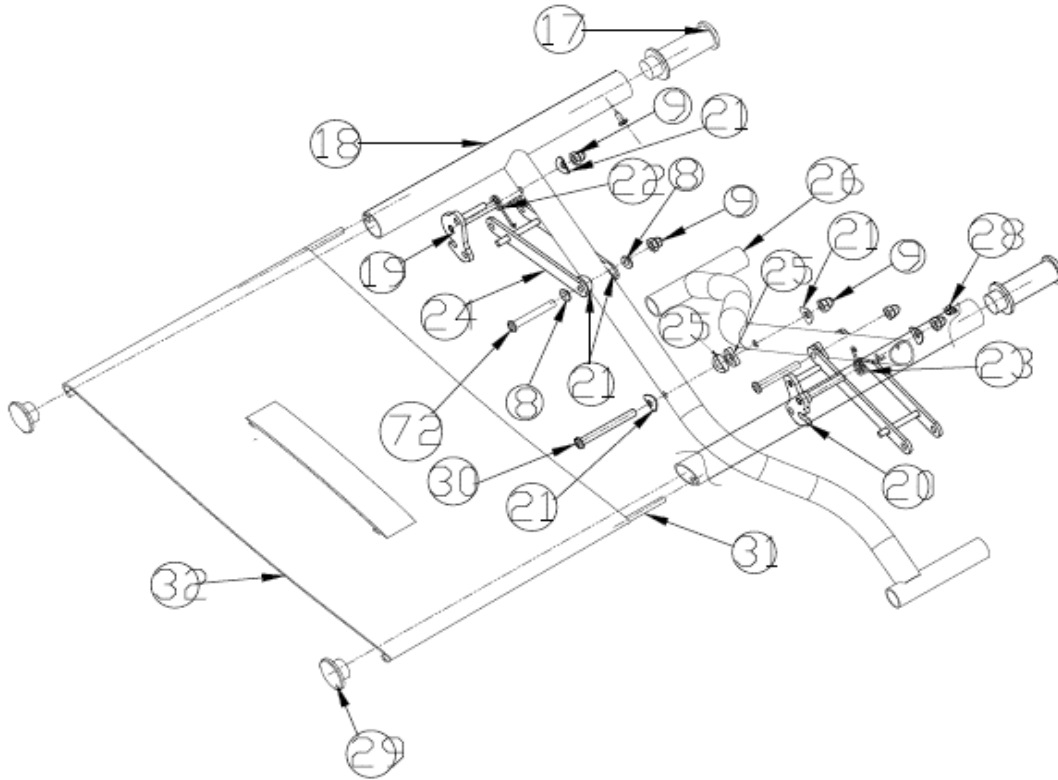
Drawing No.	Item No.	Description	Purchase Price
1-5	92427000	Handvat en remhandvat LINKS en RECHTS	€ 29,48
3-5+11	92427010	Rem compl L/R (handvat remhendel kabel remschoen+bev materiaal)	€ 94,35
6+7	-	Not available as spare part	-
8-10+15	92425000	Rugband compleet	€ 76,66
12+13+14	-	Not available as spare part	-
16	92427020	Duwhandvat buis (set van 2)	€ 67,22
	92425105	Sterknop tbv hoogte instelbare duwhandvatten (set van 2)	€ 5,90

CE-D09 Spare parts list



Identification number: TCF-VOMNL - 2420A
 Product group: Rollator
 Productname: EZ-Lite
 Batchnumber:

Crossframe + Seat



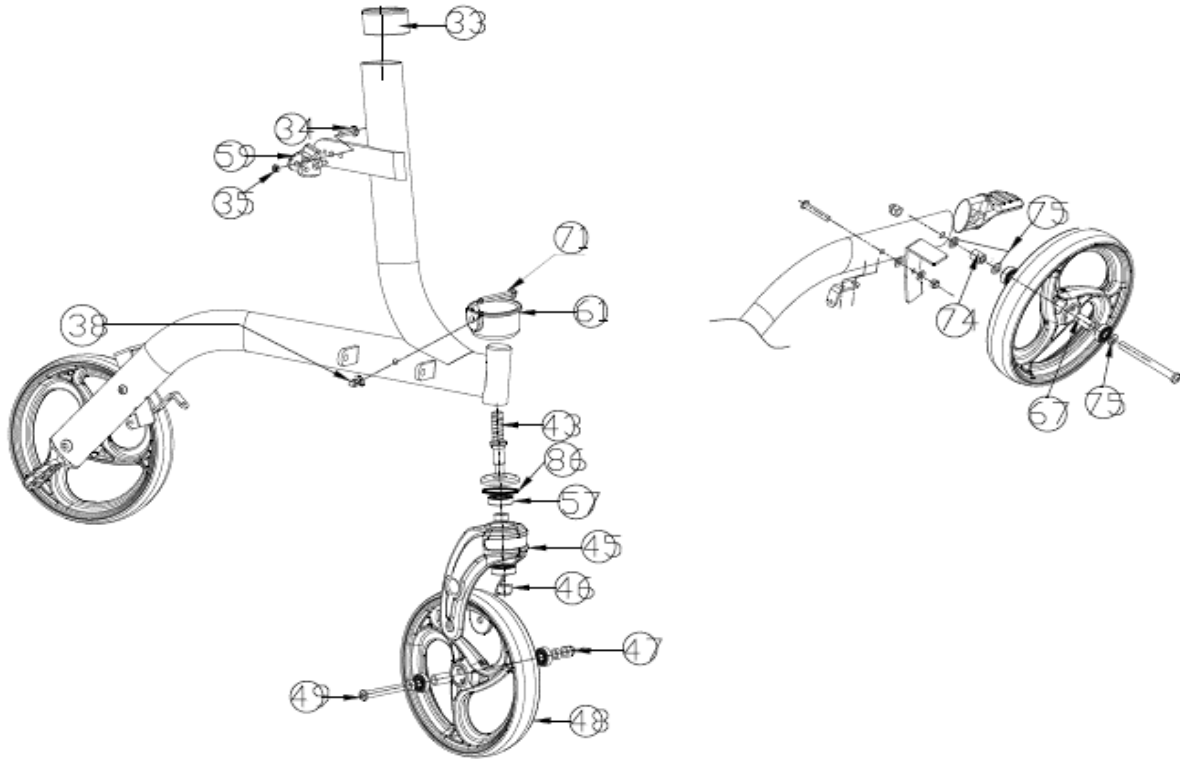
Drawing No.	Item No.	Description	Purchase Price	
8+9+19+20+21 +22+23+24+72	92429006	Opvouwmechanisme en pendelassen incl bevestigingsmateriaal	€	70,76
17	-	Not available as spare part	-	
18, 28	-	Not available as spare part	-	
9, 21, 25, 26	92420100	Opvulbussen tbv kruisframe/zijframe (set van 2)	€	8,10
29	92420150	Afdekdoppen tbv zitting (set van 2)	€	5,90
30-31	-	Not available as spare part	-	
32	52420100	Zitting	€	88,16
	92429007	Ontgrendelings riempje tbv opvouwmechanisme (oranje)	€	5,90

CE-D09 Spare parts list



Identification number: TCF-VOMNL - 2420A
 Product group: Rollator
 Productname: EZ-Lite
 Batchnumber:

Front fork



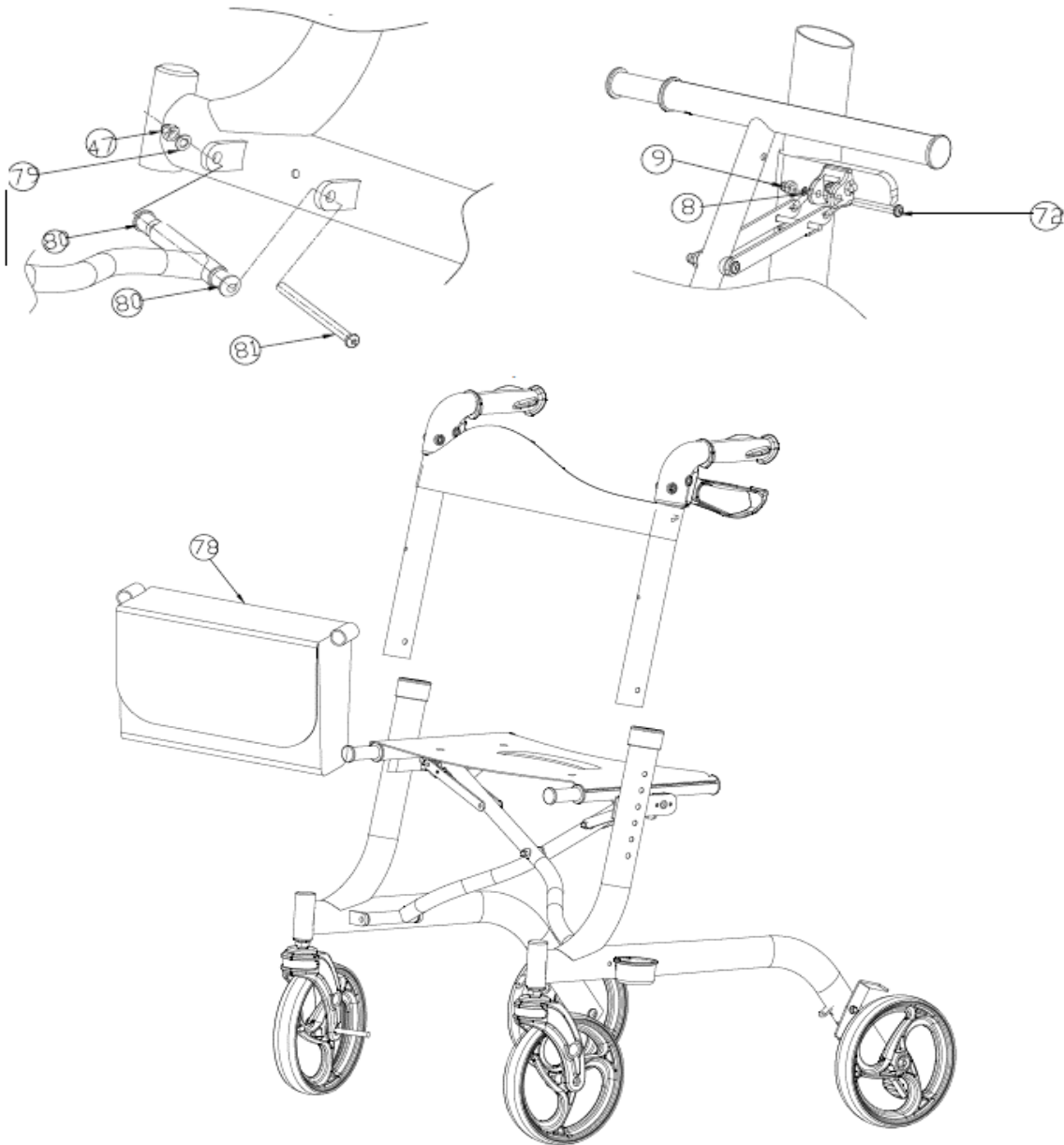
Drawing No.	Item No.	Description	Purchase Price
33-35	-	Not available as spare part	-
38+61+71	92427025	Stokkenhouder en klittenband	€ 17,69
43+86+57+	92428200	Voorvork inclusief bout en lager, Links	€ 23,59
45+46	92428201	Voorvork inclusief bout en lager, Rechts	€ 23,59
47+48+49	92428100	Voorwiel compleet tbv EZ-Lite	€ 26,54
48+67+74+75	92424100	Achterwiel compleet tbv EZ-Lite	€ 26,54
59	-	Not available as spare part	-
	92417035	Balhoofd afdekdoppen, set van 2	€ 3,93
	92423700	Trapdop Links	€ 23,00
	92423705	Trapdop Rechts	€ 23,00

CE-D09 Spare parts list



Identification number: TCF-VOMNL - 2420A
 Product group: Rollator
 Productname: EZ-Lite
 Batchnumber:

Bag



Drawing No.	Item No.	Description	Purchase Price
78	92429900	Tas (met blokbevestiging)	€ 47,17
	92469900	Tas (met lusbevestiging)	€ 40,69
	92429950	Bevestigingsblok (set van 2) tbv montage tas	€ 8,92
8+9	-	Not available as spare part	-
47, 72, 79, 80	92420100	Opvulbussen tbv kruisframe/zijframe (set van 2)	€ 8,10